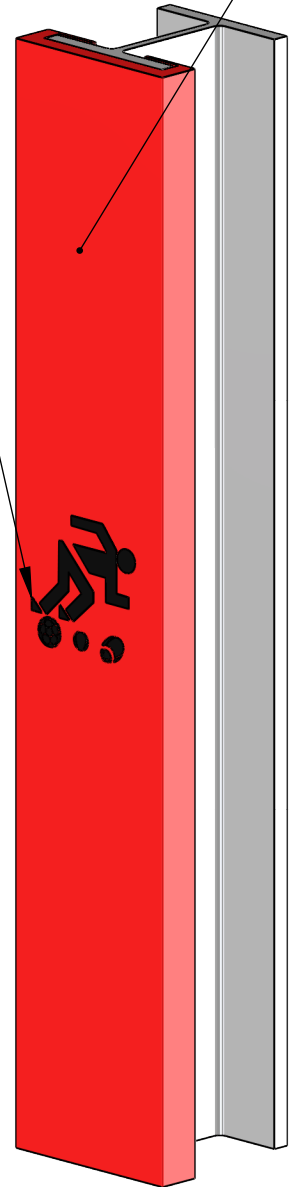
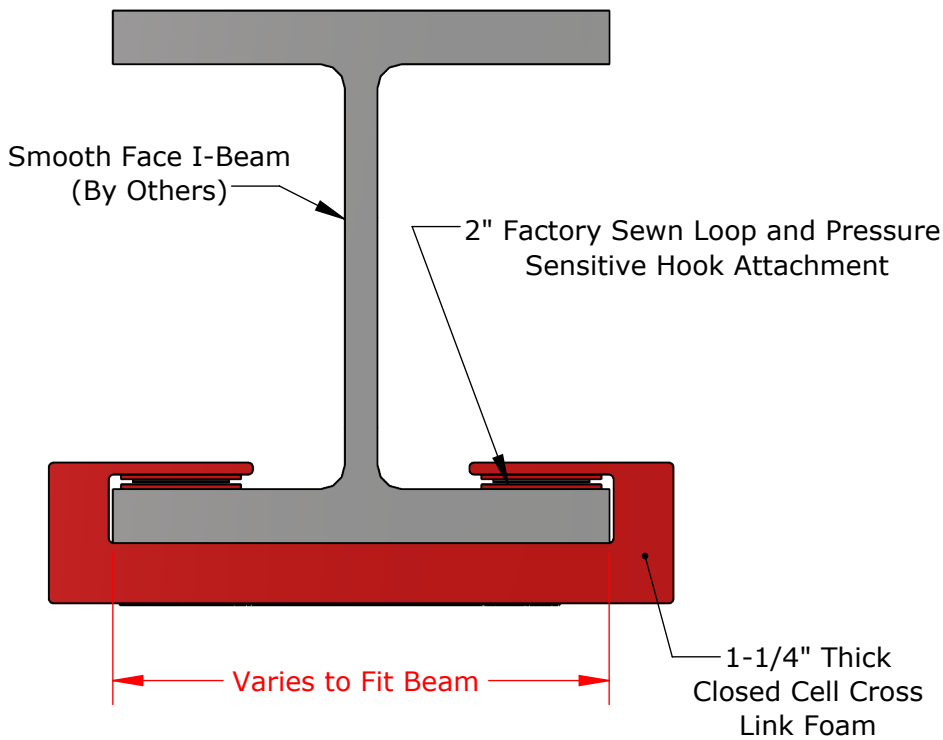


Meets/Exceeds ASTM F2440-11
Requirements for Impact Absorption

14 oz. Indoor Vinyl, Class A Fire Rated (ASTM E-84),
Various Standard Colors Available

Optional Custom
Digitally Printed Lettering
And/Or Graphics Available



Part Numbers	Description
IBHI6	6" W x 72" H x 1-1/4" D
IBHI8	8" W x 72" H x 1-1/4" D
IBHI10	10" W x 72" H x 1-1/4" D
IBHI12	12" W x 72" H x 1-1/4" D

Final Layout and/or
Graphic Rendering to be
Completed upon
Verification of Field
Measurements

PROPRIETARY AND CONFIDENTIAL
THE INFORMATION CONTAINED IN
THIS DRAWING IS THE SOLE PROPERTY
OF SPORTSFIELD SPECIALTIES INC.
ANY REPRODUCTION IN PART OR AS A
WHOLE WITHOUT THE WRITTEN
PERMISSION OF SPORTSFIELD
SPECIALTIES INC. IS PROHIBITED.

**IBHI High Impact I-Beam Pad
with Hook and Loop**

Not To Scale Sportsfield Specialties Inc 08112020