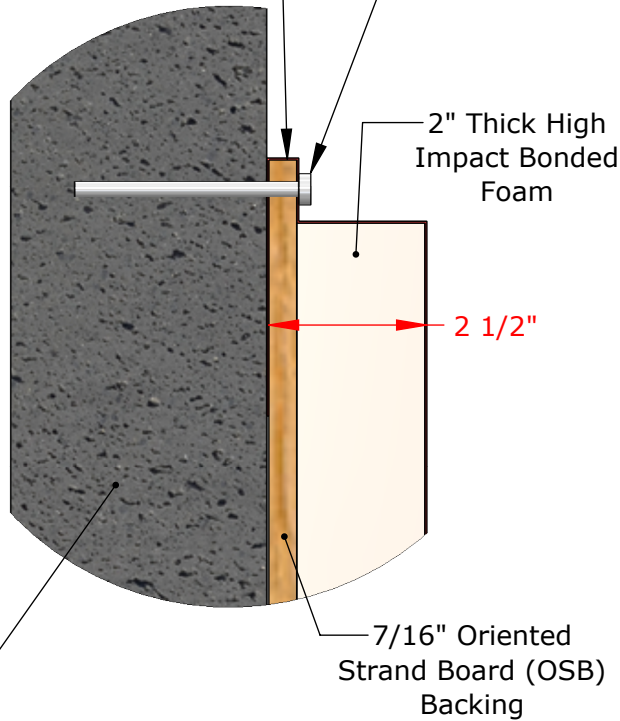


Meets/Exceeds ASTM F2440-11
Requirements for Impact Absorption

14 oz. Indoor Vinyl, Class A Fire Rated (ASTM E-84),
Various Standard Colors Available

1" Vinyl Wrapped Attachment Lips
Top and Bottom

Appropriate Fastener
Provided By Others

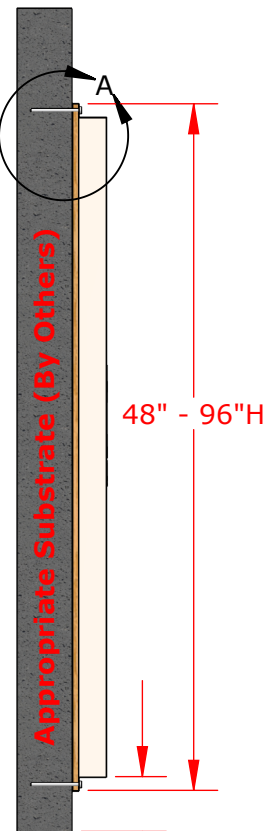


2" Thick High
Impact Bonded
Foam

2 1/2"

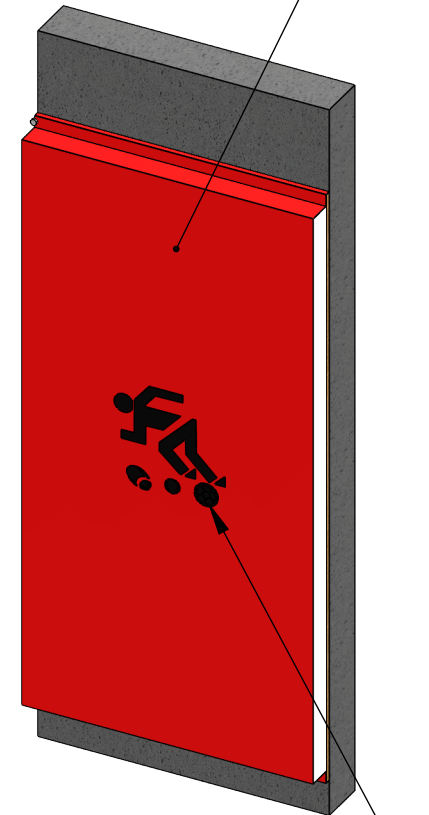
7/16" Oriented
Strand Board (OSB)
Backing

Appropriate Substrate: Masonry,
Wood, Drywall, Metal Framing, Etc.
(By Others)



48" - 96"H

4" Clearance
Typical



Optional Custom
Digitally Printed Lettering
And/Or Graphics Available

Part Numbers *	Size
WCHI242/WCHI242DG	2'W x 4'L x 2.5"D
WCHI252/WCHI252DG	2'W x 5'L x 2.5"D
WCHI262/WCHI262DG	2'W x 6'L x 2.5"D
WCHI272/WCHI272DG	2'W x 7'L x 2.5"D
WCHI282/WCHI282DG	2'W x 8'L x 2.5"D
WCHI-NSS/WCHIDG-NSS	_ 'W x _ 'L x 2.5"D

*DG Part Number Denotes
Custom Digitally Printed
Graphics

Final Layout and/or
Graphic Rendering to be
Completed upon
Verification of Field
Measurements

PROPRIETARY AND CONFIDENTIAL

THE INFORMATION CONTAINED IN
THIS DRAWING IS THE SOLE PROPERTY
OF SPORTSFIELD SPECIALTIES INC.
ANY REPRODUCTION IN PART OR AS A
WHOLE WITHOUT THE WRITTEN
PERMISSION OF SPORTSFIELD
SPECIALTIES INC. IS PROHIBITED.

**WCHI High Impact Wall Pad
Attachment Lip Top and Bottom**

Not To Scale

Sportsfield Specialties Inc 08112020