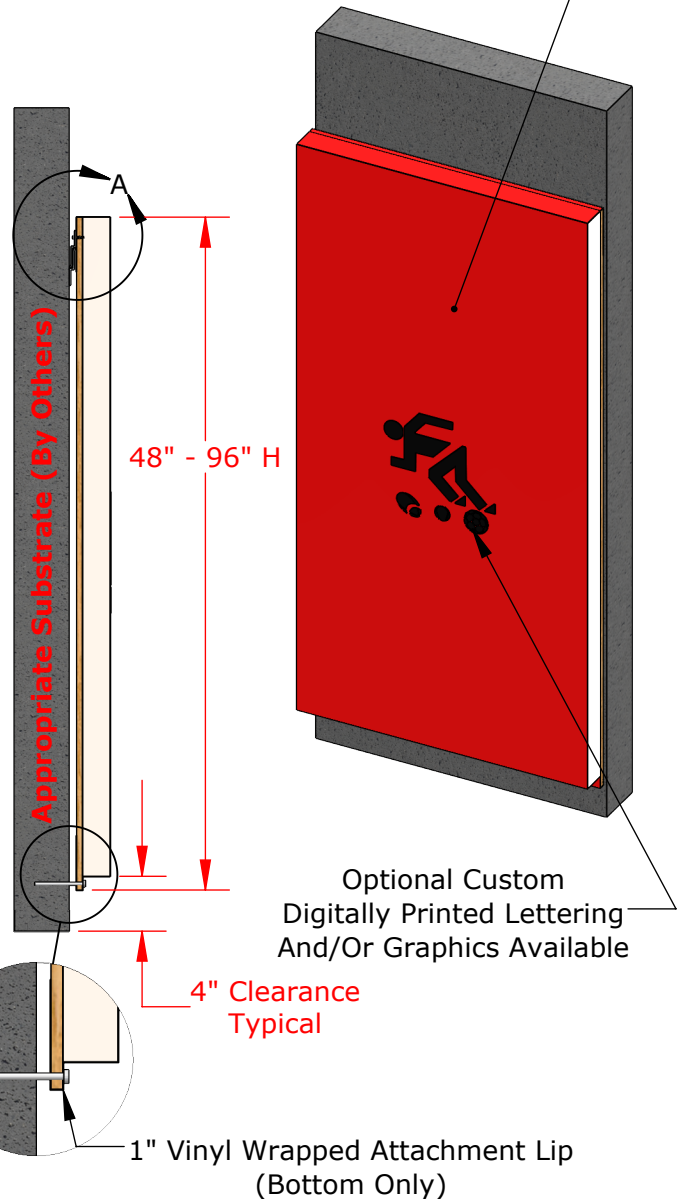
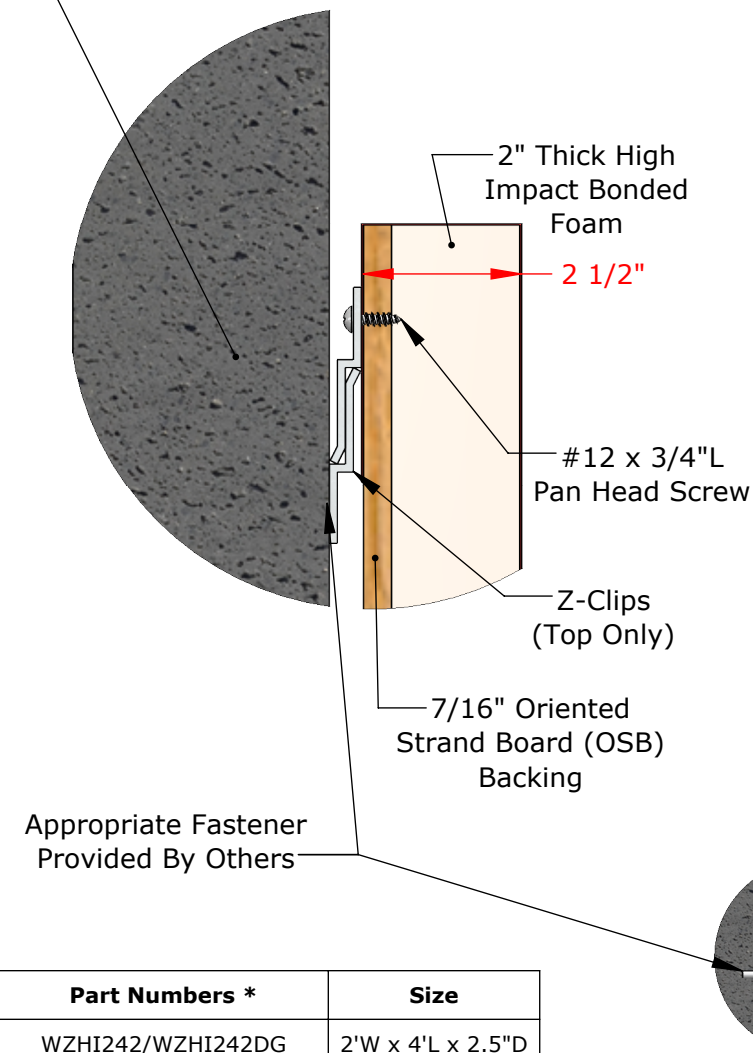


Meets/Exceeds ASTM F2440-11  
Requirements for Impact Absorption

14 oz. Indoor Vinyl, Class A Fire Rated (ASTM E-84),  
Various Standard Colors Available

Appropriate Substrate: Masonry,  
Wood, Drywall, Metal Framing, Etc.  
(By Others)



Part Numbers *	Size
WZHI242/WZHI242DG	2'W x 4'L x 2.5"D
WZHI252/WZHI252DG	2'W x 5'L x 2.5"D
WZHI262/WZHI262DG	2'W x 6'L x 2.5"D
WZHI272/WZHI272DG	2'W x 7'L x 2.5"D
WZHI282/WZHI282DG	2'W x 8'L x 2.5"D
WZHI-NSS/WZHIDG-NSS	_ 'W x _ 'L x 2.5"D

\*DG Part Number Denotes Custom Digitally Printed Graphics

Final Layout and/or Graphic Rendering to be Completed upon Verification of Field Measurements

**PROPRIETARY AND CONFIDENTIAL**

THE INFORMATION CONTAINED IN THIS DRAWING IS THE SOLE PROPERTY OF SPORTSFIELD SPECIALTIES INC. ANY REPRODUCTION IN PART OR AS A WHOLE WITHOUT THE WRITTEN PERMISSION OF SPORTSFIELD SPECIALTIES INC. IS PROHIBITED.

## WZHI High Impact Wall Pad Z-Clip Top and Attachment Lip Bottom

Not To Scale

Sportsfield Specialties Inc 08112020