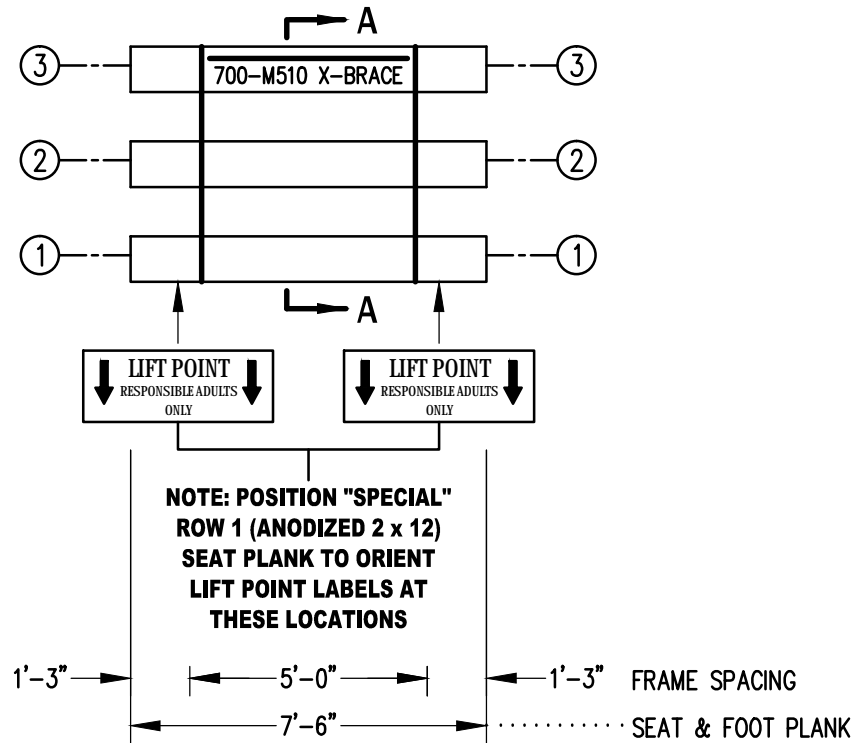
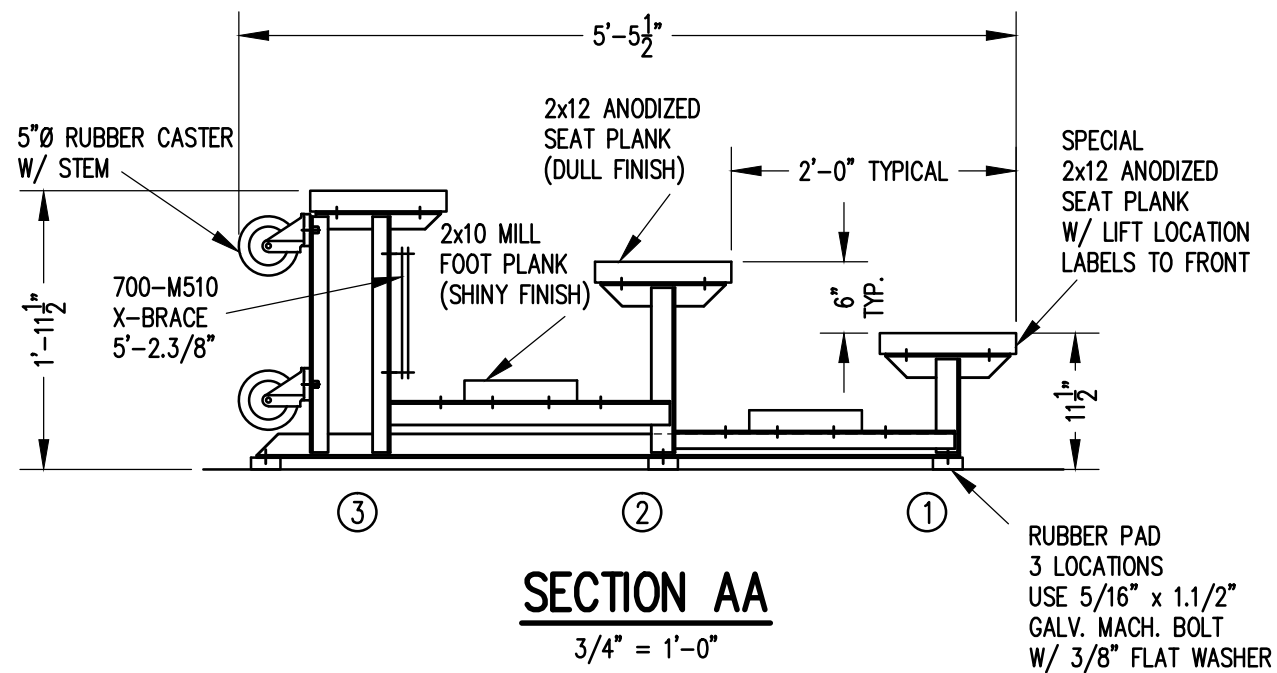


# INSTRUCTION/ASSEMBLY DRAWING



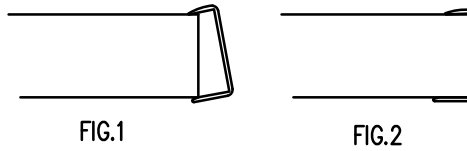
## SEAT & FRAMING PLAN

1/4" = 1'-0"  
15 NET SEATS @ 18" PER SEAT



## SECTION AA

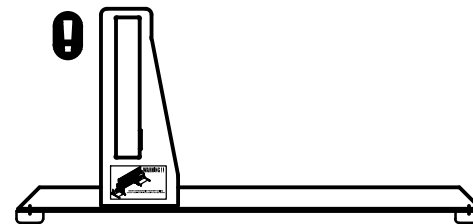
3/4" = 1'-0"



- 1) LOCATE THE CHANNEL END CAP AS SHOWN IN FIG. 1.
- 2) TAP END CAP INTO PLACE WITH RUBBER Mallet OR SOFT WOOD. FIG.2
- 3) DRILL 5/32" HOLES THROUGH THE BOTTOM FLANGE AND THE BOTTOM OUTSIDE PLANK FLANGES OF EACH PLANK. INSTALL 5/32" POP RIVETS.

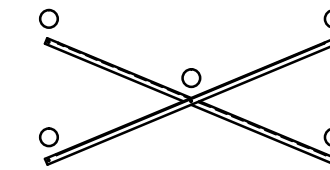
## END CAP DETAIL

N.T.S.



## MANDATORY STABILIZING FIXTURE

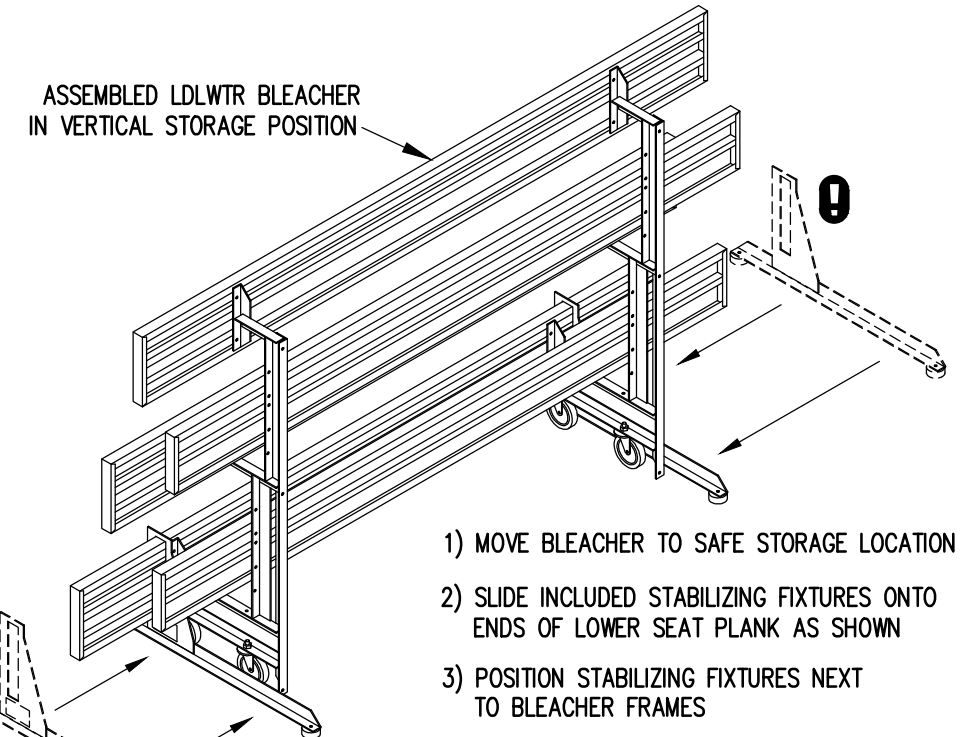
3/4" = 1'-0"



## X-BRACE DETAIL

N.T.S.

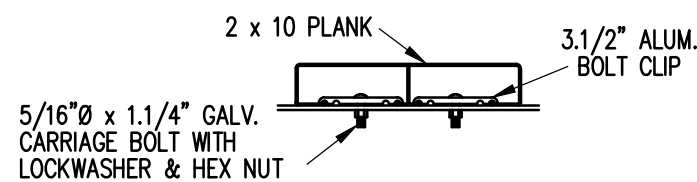
○ 7/16" x 1" GALV. MACH. BOLT



## VERTICAL STORAGE OF BLEACHER WHEN REQUIRED

STABILIZING FIXTURE - ONE REQUIRED FOR EACH END OF BLEACHER

① NOTE: OUTDOOR ALUMINUM INC. RECOMMENDS STORING TIP AND ROLL BLEACHERS IN THE "IN USE" POSITION WHEN POSSIBLE - WHERE VERTICAL STORAGE IS REQUIRED, ALL OUTLINED PROCEDURES AND SAFETY WARNINGS, SPECIFICALLY INCLUDING THE MANDATORY USE OF THE STABILIZING FIXTURES OUTLINED ABOVE, MUST BE STRICTLY FOLLOWED.



## BOLT CLIP DETAIL

1.1/2" = 1'-0"

		P.O. BOX 118 GENEVA, ALABAMA 36340 334-684-2296	
		SCALE AS NOTED	REVISIONS
DATE 11/2/11			
DR'N CDK	CKD		
AP'VD			
TITLE			NO.
LDLWTR 3-7.5 SEATING/FRAMING PLAN			764-E1042