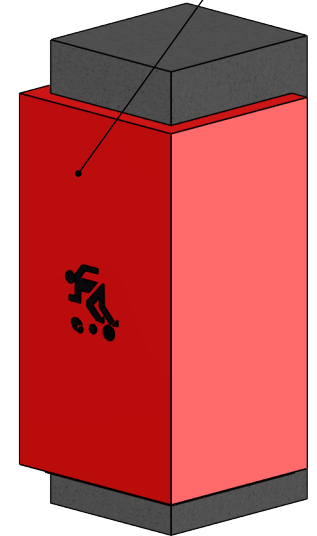
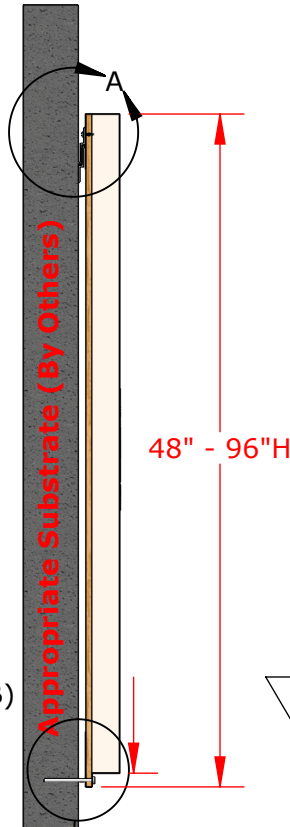
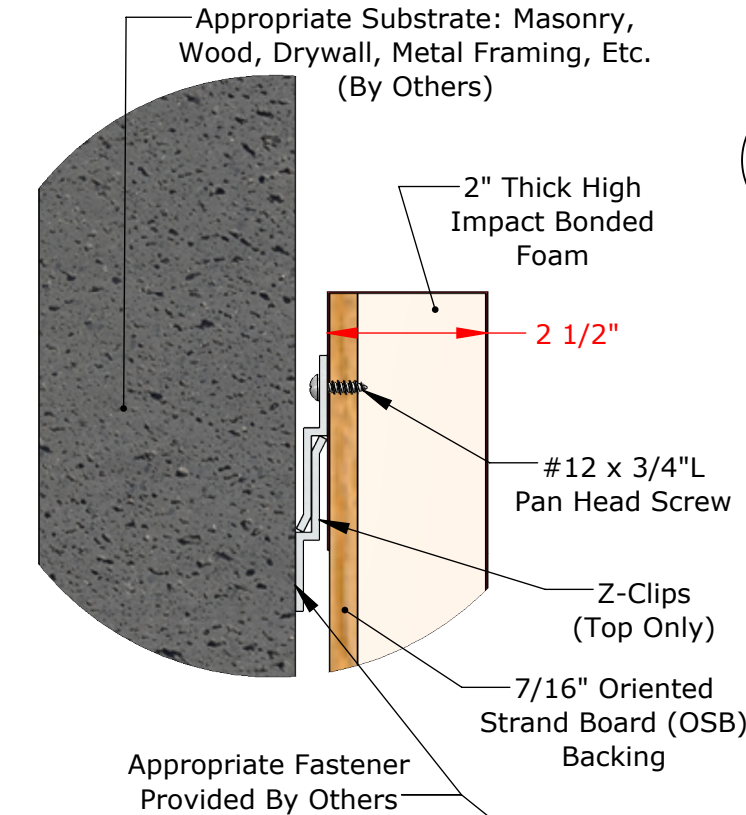


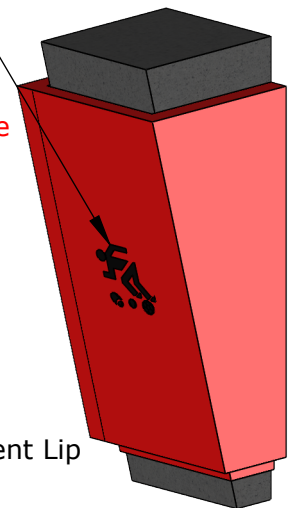
Meets/Exceeds ASTM F2440-11  
Requirements for Impact Absorption

14 oz. Indoor Vinyl, Class A Fire Rated (ASTM E-84),  
Various Standard Colors Available



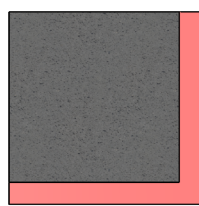
**Squared Column Pad**

Optional Custom Digitally Printed Lettering And/Or Graphics Available

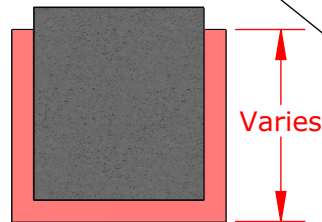


**Tapered Column Pad**

**2 Sided Pad**



**3 Sided Pad**



Varies

Varies

Varies

Part Numbers	Description
COPZ2HI	2 Sided, Squared
COPZ2THI	2 Sided, Tapered
COPZ3HI	3 Sided, Squared
COPZ3THI	3 Sided, Tapered

Final Layout and/or Graphic Rendering to be Completed upon Verification of Field Measurements

1" Vinyl Wrapped Attachment Lip (Bottom Only)

**PROPRIETARY AND CONFIDENTIAL**

THE INFORMATION CONTAINED IN THIS DRAWING IS THE SOLE PROPERTY OF SPORTSFIELD SPECIALTIES INC. ANY REPRODUCTION IN PART OR AS A WHOLE WITHOUT THE WRITTEN PERMISSION OF SPORTSFIELD SPECIALTIES INC. IS PROHIBITED.

**COPZHI High Impact Column Pad with Z-Clip and Attachment Lip**

Not To Scale

Sportsfield Specialties Inc 08112020