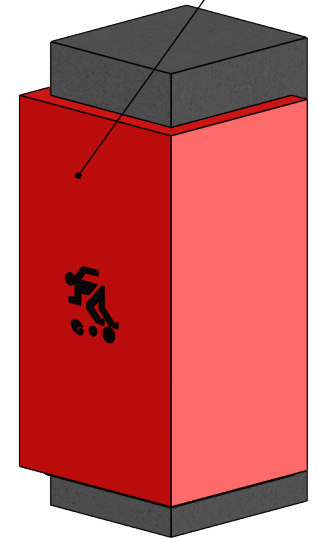
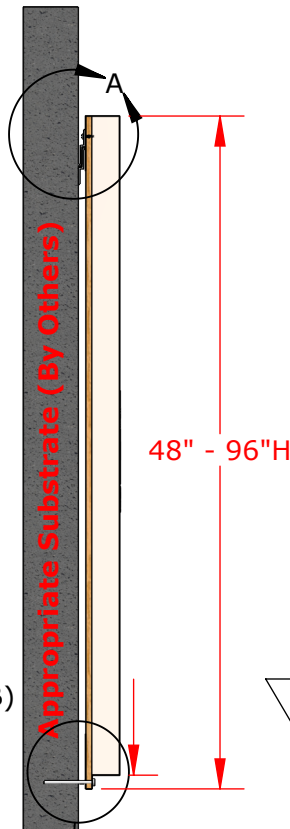
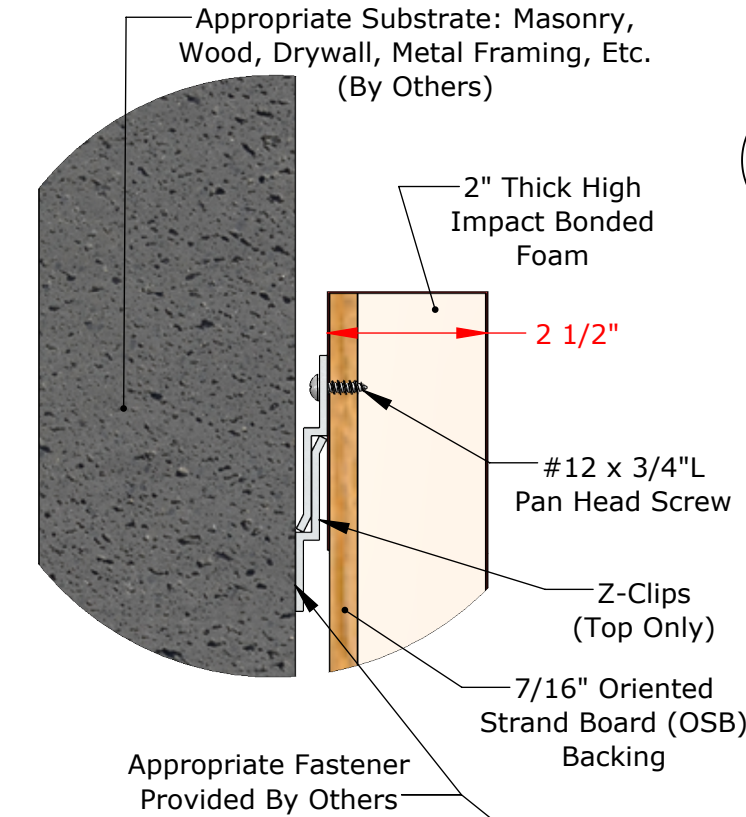


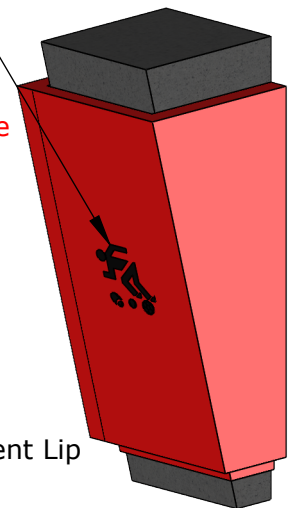
Meets/Exceeds ASTM F2440-11
Requirements for Impact Absorption

14 oz. Indoor Vinyl, Class A Fire Rated (ASTM E-84),
Various Standard Colors Available



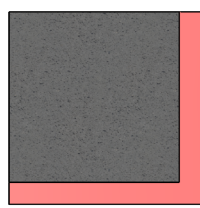
Squared Column Pad

Optional Custom Digitally Printed Lettering And/Or Graphics Available

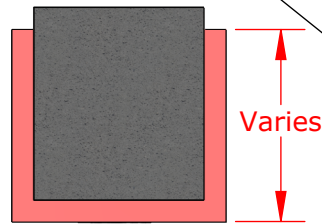


Tapered Column Pad

2 Sided Pad



3 Sided Pad



Varies

Varies

Varies

| Part Numbers | Description |
|--------------|------------------|
| COPZ2HI | 2 Sided, Squared |
| COPZ2THI | 2 Sided, Tapered |
| COPZ3HI | 3 Sided, Squared |
| COPZ3THI | 3 Sided, Tapered |

Final Layout and/or Graphic Rendering to be Completed upon Verification of Field Measurements

PROPRIETARY AND CONFIDENTIAL

THE INFORMATION CONTAINED IN THIS DRAWING IS THE SOLE PROPERTY OF SPORTSFIELD SPECIALTIES INC. ANY REPRODUCTION IN PART OR AS A WHOLE WITHOUT THE WRITTEN PERMISSION OF SPORTSFIELD SPECIALTIES INC. IS PROHIBITED.

COPZHI High Impact Column Pad with Z-Clip and Attachment Lip

Not To Scale

Sportsfield Specialties Inc 08112020